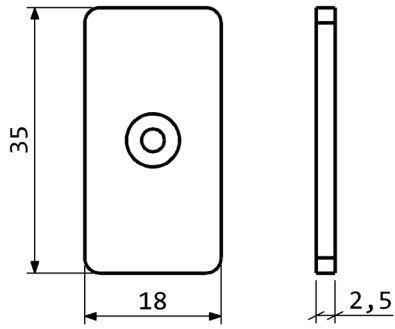
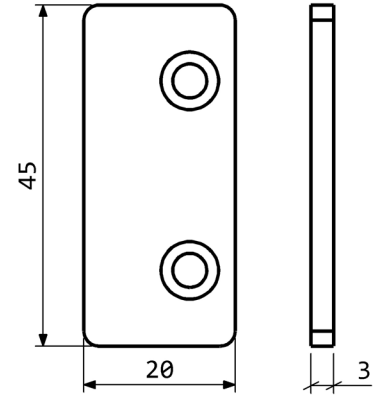


AUTOMATIC DROP SEAL

ACCESSORIES SPECIFICATIONS

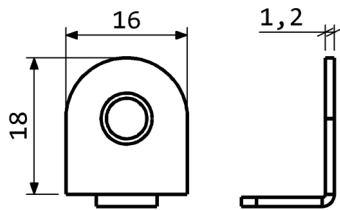
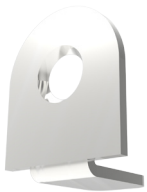


PLASTIC COUNTER PLATE P1830

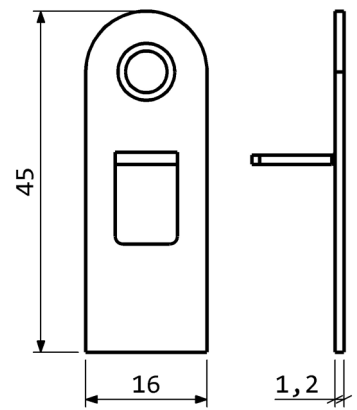


INOX COUNTER PLATE P2045KRV

INOX BRACKETS P2050

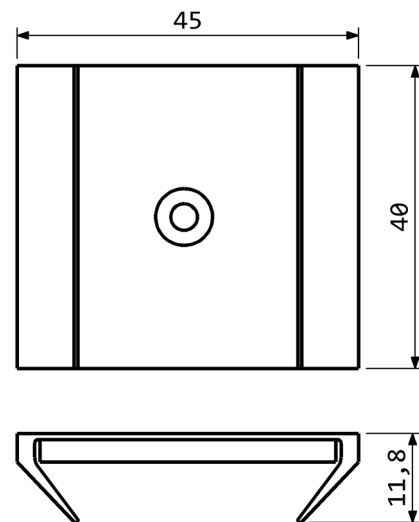
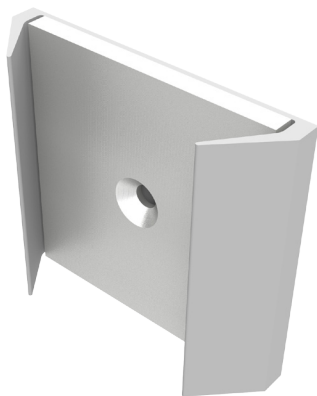


INOX END CAPS P1645



FRAME SEAL FS-310LA

Sealing device engineered to fill the lateral gaps between the frame and the door leaf



CODE

BOX
PCS

FS-310LA

100

DIMENSIONS IN [mm] - THE MANUFACTURER RESERVES THE RIGHT TO MAKE TECHNICAL CHANGES WITHOUT NOTICE