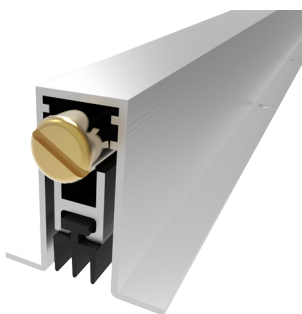


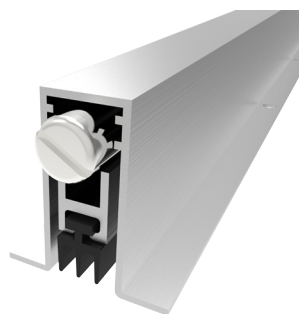
**AUTOMATIC DROP SEALS**  
**STANDARD LINE - SERIES 12 MM**

**MAIN APPLICATION**  
**WOODEN DOOR - SECURITY DOOR**

**DS-101SF02RT**



**DS-101SF02RTN**



SIZE	MAX SEAL GAP	MAX LENGTH	MIN LENGTH
12x26	12	1500	220

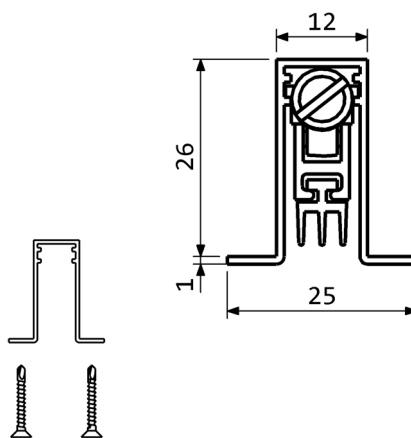
**FEATURES AND FUNCTIONALITY**

Air draughts, light and dust protection	Self levelling drop
Barrier-free access	Steel leaf springs mechanism
Energy saving	Low door opening and closing resistance
Durability up to 1000000 cycles	Green PVC Compound

**MATERIALS**

Profiles	Aluminium alloy
Gasket	Self-extinguish PVC (working temperatures -10°C/+60°C)
Push button	Brass / Nickel plated brass
Mechanism	Steel

CODE	LENGTH mm	TRIMMING mm	BOX PCS
DS-101SF02RT400	400	180	60
DS-101SF02RT600	600	200	60
DS-101SF02RT800	800	200	60
DS-101SF02RT1000	1000	200	60
DS-101SF02RT1200	1200	200	60
DS-101SF02RTN400	400	180	60
DS-101SF02RTN600	600	200	60
DS-101SF02RTN800	800	200	60
DS-101SF02RTN1000	1000	200	60
DS-101SF02RTN1200	1200	200	60



**FIXING ACCESSORIES  
(OPTIONALS)**



PLASTIC COUNTER  
PLATE P1830

INOX COUNTER  
PLATE P2045KRV

INOX END CAPS  
P1645

**QUICK AND EASY INSTALLATION**

Measure the groove length. Check the product trimming length in the table provided. Cut the seal on the opposite side of the activating plunger. Place the push button on the hinge side. Fix the aluminium case into the groove by screws.

Lift height adjustment: screw (to decrease) or unscrew (to increase) the push button by a flathead screw driver and find the optimal position opening and closing the door while the seal covers the gap along the entire door length.

DIMENSIONS IN [mm] - THE MANUFACTURER RESERVES THE RIGHT TO MAKE TECHNICAL CHANGES WITHOUT NOTICE